

Ground-Detecting Module Product Specifications

SPEC. NO. : SZ22101201
DATE : 2022/11/7
REV. : A/1

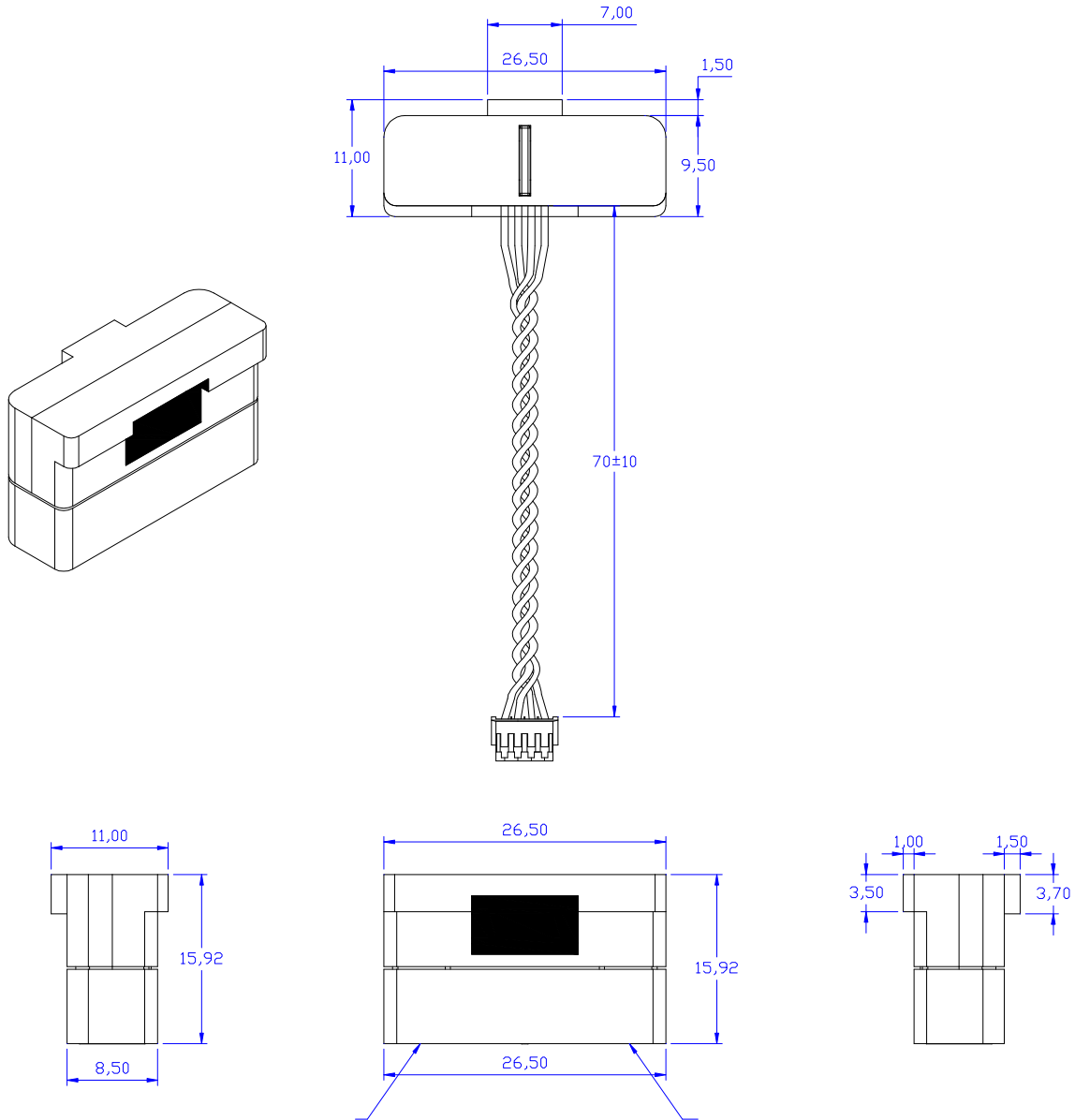
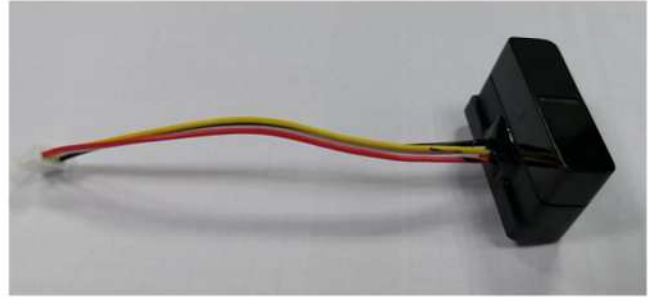
Approved By:

Checked By:

Prepared By:

--	--	--	--

Dimensions of Module



Notes:

1. All dimensions are in millimeters.
2. Tolerance is ± 0.50 mm unless otherwise noted.
3. ~~Specifications are subject to change without notice.~~
4. Specifications are subject to change without notice.

LIGHT ELECTRONICS CO., LTD.



