

# **SL-T4233PDB020-L395-E**

## **PHOTO Diode**

### **DATA SHEET**

SPEC. NO. : SZ21110202  
DATE : 2021/11/02  
REV. : A/0

Approved By:

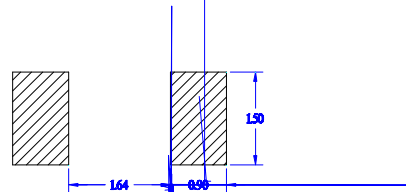
Checked By:

Prepared By:

## Features

- Pb free product—RoHS compliant
- High Photo Sensitivity
- Reliable and rugged
- Long life – solid state reliability
- Sensitivity angle: 85°

## Package Dimension



Recommended Soldering patterns

Part NO.	Chip Material	Lens Color
SL-T4233PDB020-L395-E	Silicon	Black

### Notes:

1. All dimensions are in millimeters.
2. Tolerance is  $\pm 0.10$ mm unless otherwise noted.
3. Specifications are subject to change without notice.



### Electrical Optical Characteristics at Ta=25

PARAMETER	SYMBOL	MIN.	TYP.	MAX.	UNITS	TEST CONDITIONS
Reverse Light Current	$I_L$	21	26	---	$\mu A$	$V_R=5V$ $E_e=1mW/cm^2$ $p=940nm$
Reverse Dark Current	$I_D$	---	---	30	nA	$V_R=10V$ $E_e=0mW/cm^2$
Reverse Voltage	$V_{(R)}$	30	---	---	V	$I_R=100\mu A$
Forward Voltage	$V_F$	---	---	1.5	V	$I_F=20mA$
Viewing Angle(X)	$2_{1/2}$	75	85	95	Deg.	(Note 1)
Viewing Angle(Y)	$2_{1/2}$	25	35	45	Deg.	
Rise Time/ Fall Time	tr/tf	---	50	---	ns	$V_R=10V$ $RL=1k$
Total Capacitance	$C_T$	---	12	---	pF	$V_R=5V$ $E_e=0mW/cm^2$ $f=1.0MHz$

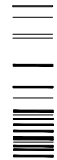


### Reverse Light Current Bin Code ( $V_R=5V$ , $E_e=1mW/cm^2$ , $p=940nm$ )

BIN CODE	Min.( $\mu A$ )	Max.( $\mu A$ )
31	21	26
32	26	31
33	31	37

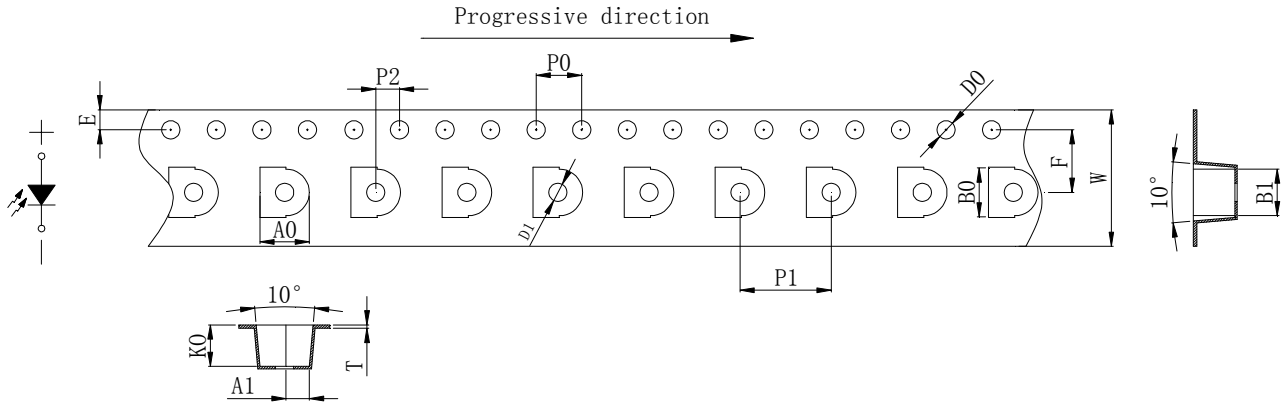
**NOTE:** The  $I_L$  guarantee should be added  $\pm 15\%$  tolerance.

## Label Explanation



## Carrier Tape Specifications (Loaded Quantity: 2300pcs/reel)

ITEM	W	A0	A1	B0	B1	K0	E	F	D0	D1	P0	P1	P2	T
DIM	12.00	4.35	2.05	4.40	4.10	3.65	1.75	5.50	1.50	1.60	4.00	8.00	2.00	0.30
TOLE	+0.10 -0.10	+0.10 -0.10	+0.10 -0.10	+0.10 -0.10	+0.10 -0.10	+0.10 -0.10	+0.10 -0.10	+0.10 -0.10	+0.10 -0.10	+0.10 -0.10	+0.10 -0.10	+0.10 -0.10	+0.10 -0.10	+0.05 -0.05



**Note:** Tolerance unless mentioned is  $\pm 0.1$ mm; Unit = mm

## Moisture Resistant Packaging





