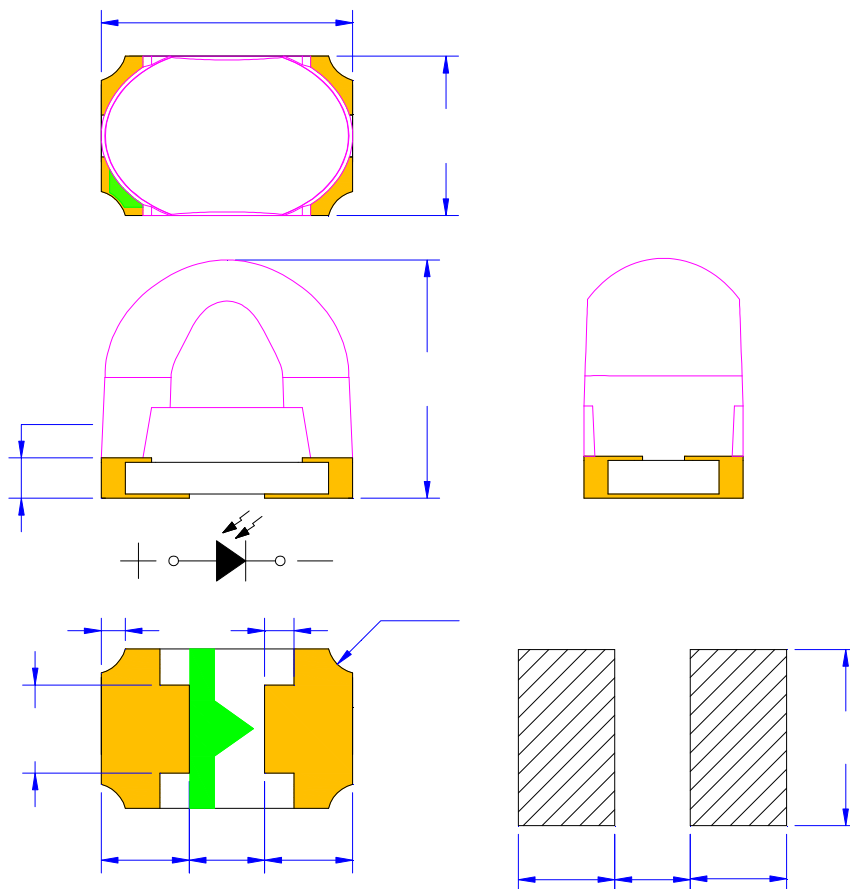


Features

- Pb free product—RoHS compliant
- High Photo Sensitivity
- Reliable and rugged
- Long life – solid state reliability
- Sensitivity angle: 90°

Package Dimension



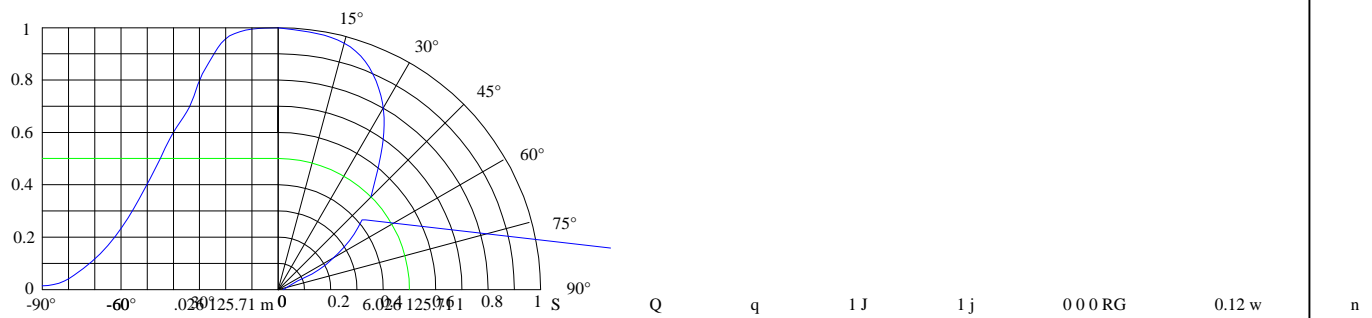
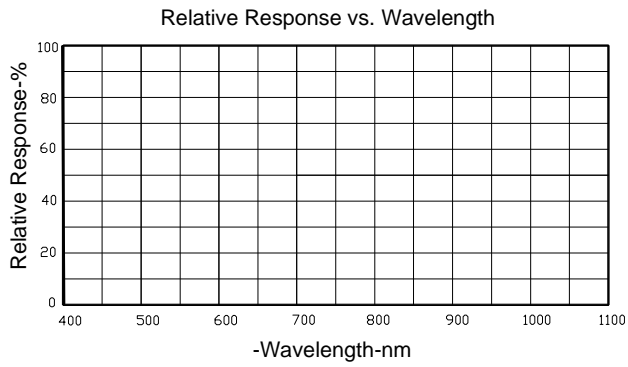
Part NO.	Chip Material	Lens Color
SL-T3020PDB020-L285-E-S	Silicon	Black

Notes:

1. All dimensions are in millimeters.
2. Tolerance is $\pm 0.10\text{mm}$ unless otherwise noted.
3. Specifications are subject to change without notice.



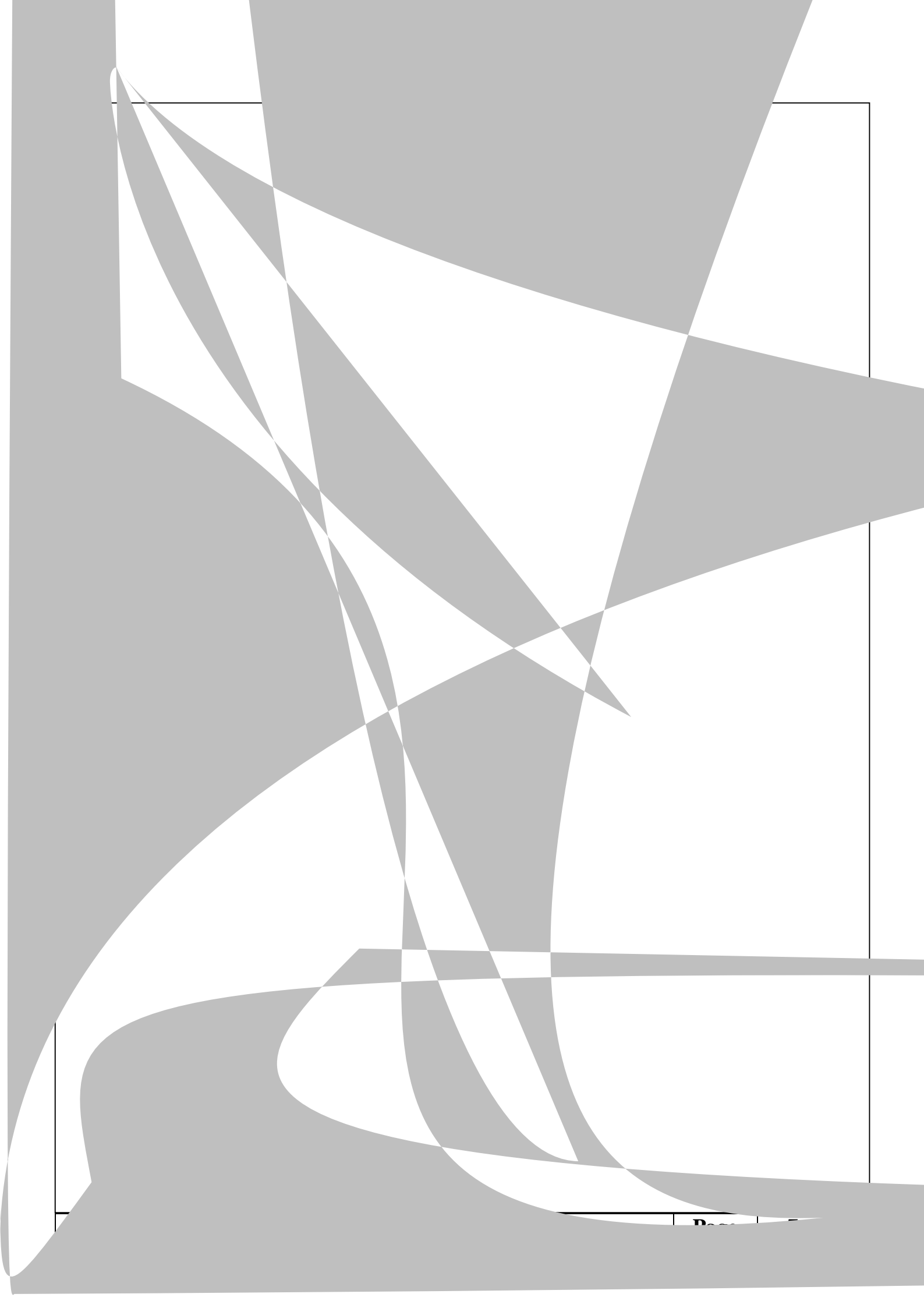
Typical Electrical / Optical Characteristics Curves
(25 Ambient Temperature Unless Otherwise Noted)



, p=940nm)

29	15.5	18.5
30	18.5	22
31	22	26

NOTE: The I_L guarantee should be added $\pm 15\%$ tolerance.



LIC